

SOUTH GATE WAREHOUSE –
FIRE WALL PROJECT
PORT OF PALM BEACH DISTRICT
RIVIERA BEACH, FLORIDA

ADDENDUM No. 1 – September 7, 2010

ADDENDUM NO. 1

SOUTH GATE - FIRE WALL PROJECT
PORT OF PALM BEACH DISTRICT
RIVIERA BEACH, FLORIDA

DATE: September 7, 2010

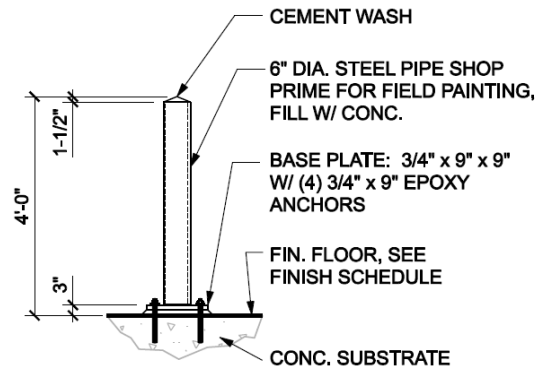
GENERAL:

- A. This Addendum modifies, changes from or adds to the Drawings and Project Manual dated August 22, 2010 and shall become a part of the Contract Documents.
- B. Bidders shall acknowledge receipt of this Addendum in the space provided on the Bid Form. Failure to do so may be cause for disqualification of Bidder.

ADDENDUM ITEMS:

DRAWINGS

- A. Refer to Sheet A-121 – Detail 1 – Head Detail
REPLACE detail note stating “3” x 3” full width stainless steel corner guard (w/ mitered corners) on double sided tape” with the following “L3”x3”x1/4” full width corner guard (w/ mitered corners) bolted to steel tube.”
- B. Refer to Sheet A-121 – Detail 2 – Jamb Detail
REPLACE detail note stating “3” x 3” full height stainless steel corner guard (w/ mitered corners) on double sided tape” with the following “L3” x 3” x 1/4” full height corner guard (w/ mitered corners) bolted to steel tube.”
- C. Refer to Sheet A-121
ADD leader note to each new overhead door as follows “Provide four (4) bollards at each overhead door – two each side.” See detail below.



END OF ADDENDUM NO. 1